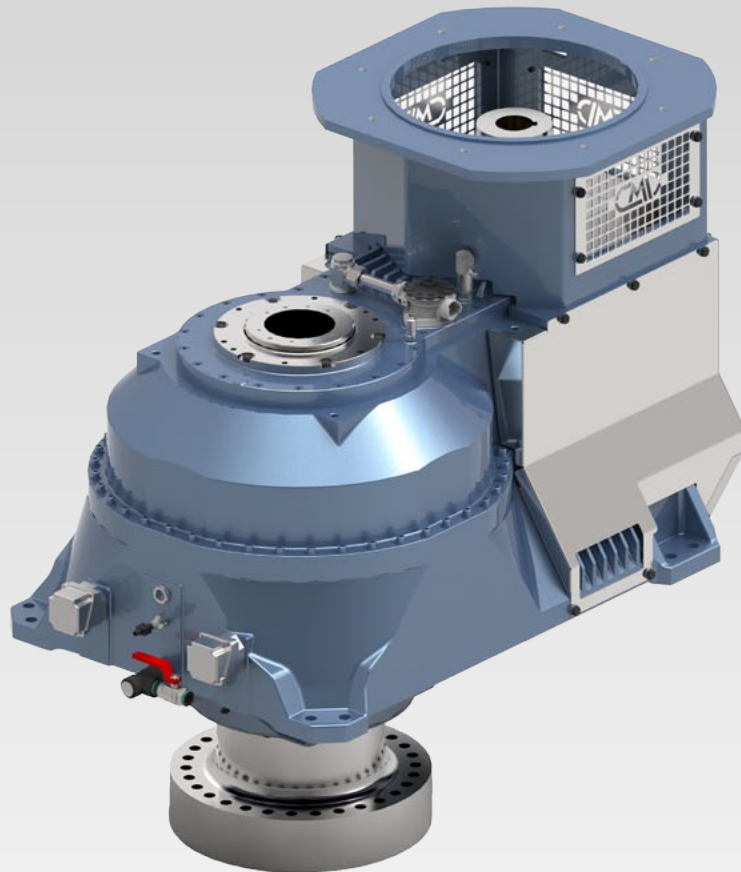




Gearboxes for Mixing, Agitation and Flotation Application

ERflotation[®]



www.cmdgears.com



Presentation

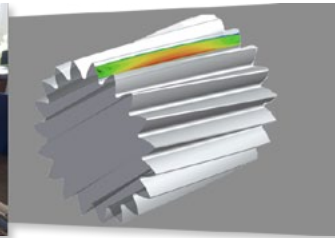
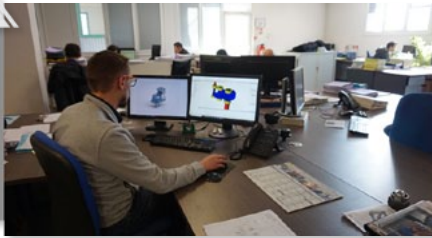
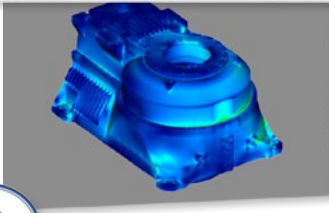
Our new range of ERflotation gearboxes are designed for optimal operation in **Flotation, Mixing and Agitation** process commonly used in Mining and Environmental industries.

- > Vertical direct drive reducers
- > 5 sizes available up to 520 kW
- > Output speed from 50 to 180 Rpm, reversible rotation

CMD customizes solutions to suit the specific technical specifications of each manufacturer.

1

ENGINEERING



2

MANUFACTURING



3

ASSEMBLY



4

SERVICE



Advantages

- > High stiffness and load carrying capacities on the low speed shaft
- > Specific housing designed able to withstand impeller dynamic loads
- > Hollow low speed shaft and rigid output coupling allowing gas injection through the shaft easier
- > Integrated lubrication and filtration unit
- > Integrated forced air cooling
- > Drywell design and reinforced sealing arrangement
- > Premium energy efficiency
- > Gear to shaft assembly by tapered press fit
- > Stock and short lead times

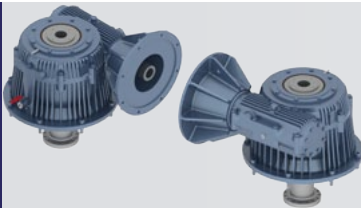
Product range

Standard accessories

- Air breather
- Oil level sight glass
- Oil filter*

Optional accessories

- Vibration sensor
- Temperature probes
- Oil heater
- Electronic switch level
- Automatic grease dispenser
- Oil flow switch*
- Magnetic plug
- Cooling unit
- Custom Motor Bracket



Power Range	up to 75 kW
Nominal Output Torque	10 000 Nm
Reduction Ratio**	7,17 to 19,33
Weight	800 kg

Size 28

Size 36

Power Range	up to 130 kW
Nominal Output Torque	20 000 Nm
Reduction Ratio**	10 to 18
Weight	1 100 kg



Power Range	up to 200 kW
Nominal Output Torque	30 000 Nm
Reduction Ratio**	15 to 20
Weight	1 500 kg

Size 38

Size 40

Power Range	up to 315 kW
Nominal Output Torque	60 000 Nm
Reduction Ratio**	19 to 23
Weight	2 400 kg



Power Range	up to 520 kW
Nominal Output Torque	120 000 Nm
Reduction Ratio**	20 to 27
Weight	4 000 kg

Size 42

*Except size 28

**Ratio given for information only. For any other requirement, please contact CMD for a detailed study.



For any QUERY or request for QUOTATION :
contact@cmdgears.com

You might also be interested in ...



Thickeners-Clarifiers



Autoclaves



Granulators and Dryers



Ball Mills Vertical mills



Flexacier® Flexident®



French design & manufacture



HEAD OFFICE
& CAMBRAI PLANT
539, Avenue du Cateau
59400 CAMBRAI
FRANCE

SALES OFFICE
36, Avenue de l'Europe
Immeuble de l'Etendard BP43
78142 VELIZY-VILLACOUBLAY
FRANCE
+33 (0)1 34 63 12 24

FOURCHAMBAULT PLANT
33, rue du 4 septembre
58600 FOURCHAMBAULT
FRANCE

